



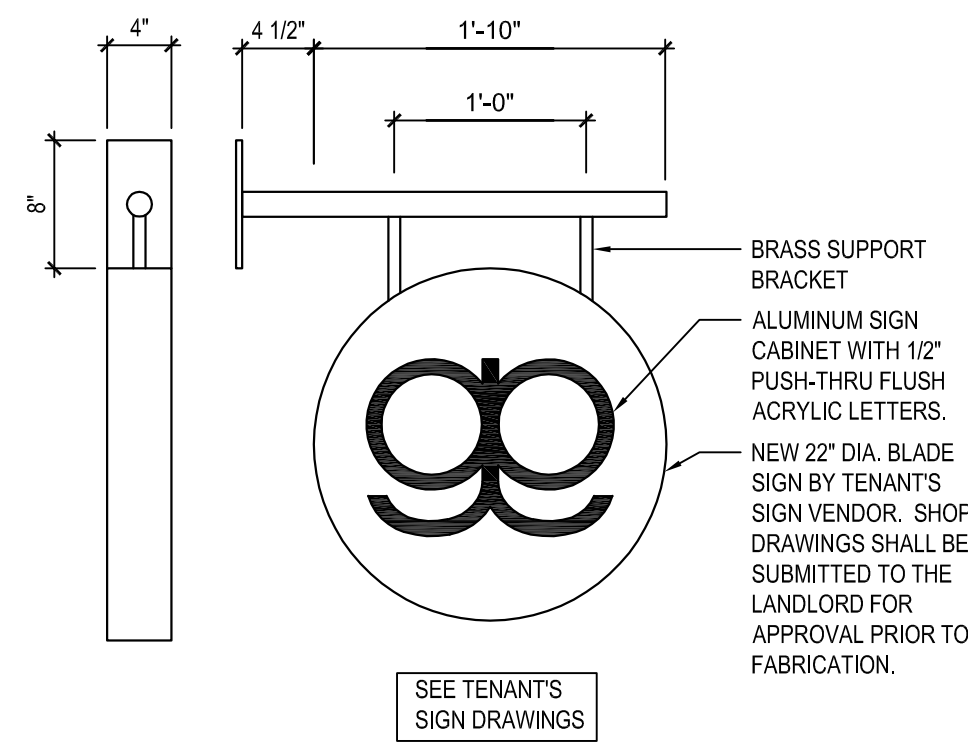
gorjana

SHOPS AROUND LENOX
3400 AROUND LENOX RD NE
SUITE 216, ATLANTA, GA 30326

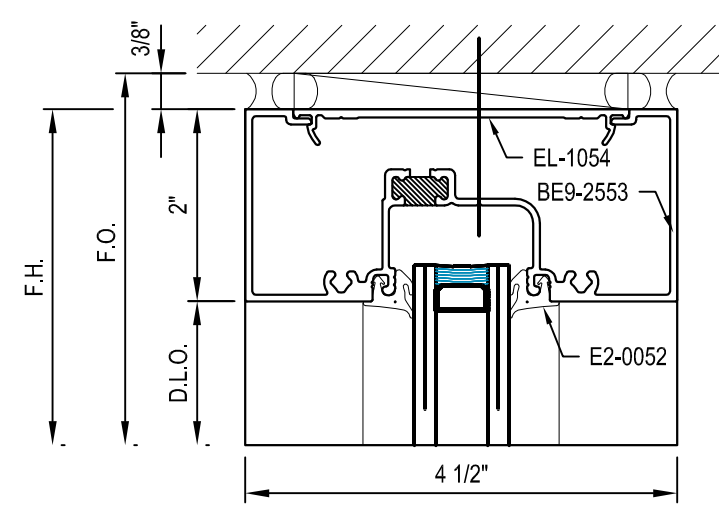
DATE	REVISION
03/21/2025	PRELIM LL REVIEW
04/24/2025	SAP SUBMITTAL
04/24/2025	FINAL LL REVIEW
XXXXXX	PERMIT SUBMITTAL
XXXXXX	CONSTRUCTION SET
XXXXXX	REV1
XXXXXX	REV2
XXXXXX	REV3

FUTURE GORJANA LOCATION

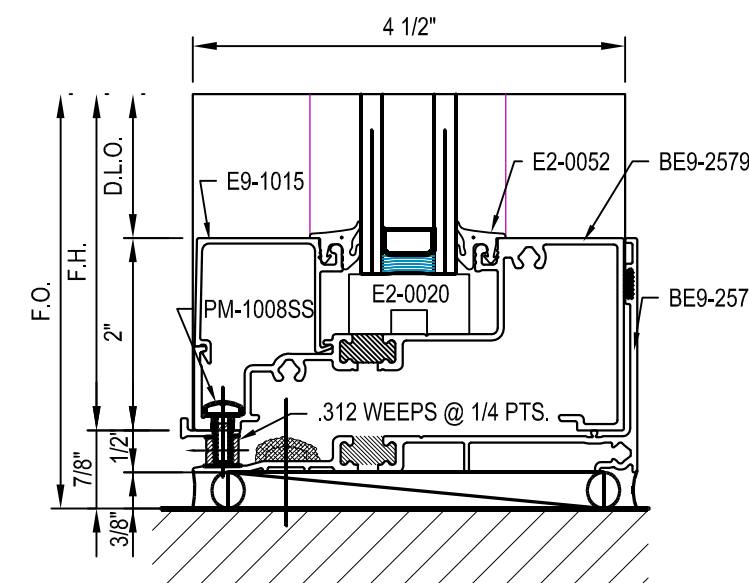




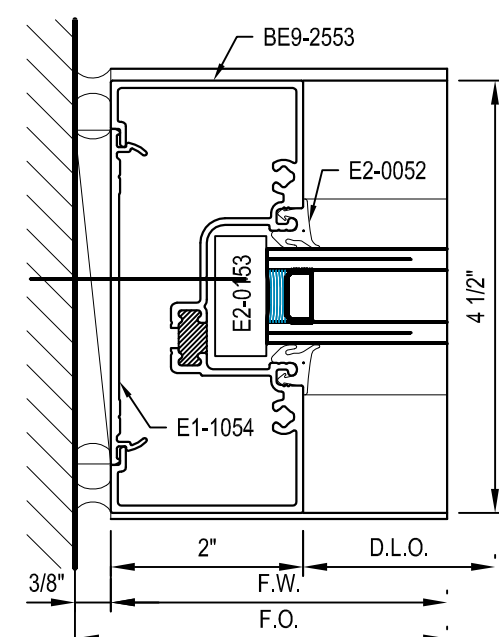
A5
A-300
BLADE SIGN DETAIL
SCALE: 1" = 1/2"



A10
A-300
STOREFRONT - HEAD DETAIL
SCALE: 6" = 1/2"



A15
D-101
STOREFRONT - SILL DETAIL
SCALE: 6" = 1/2"



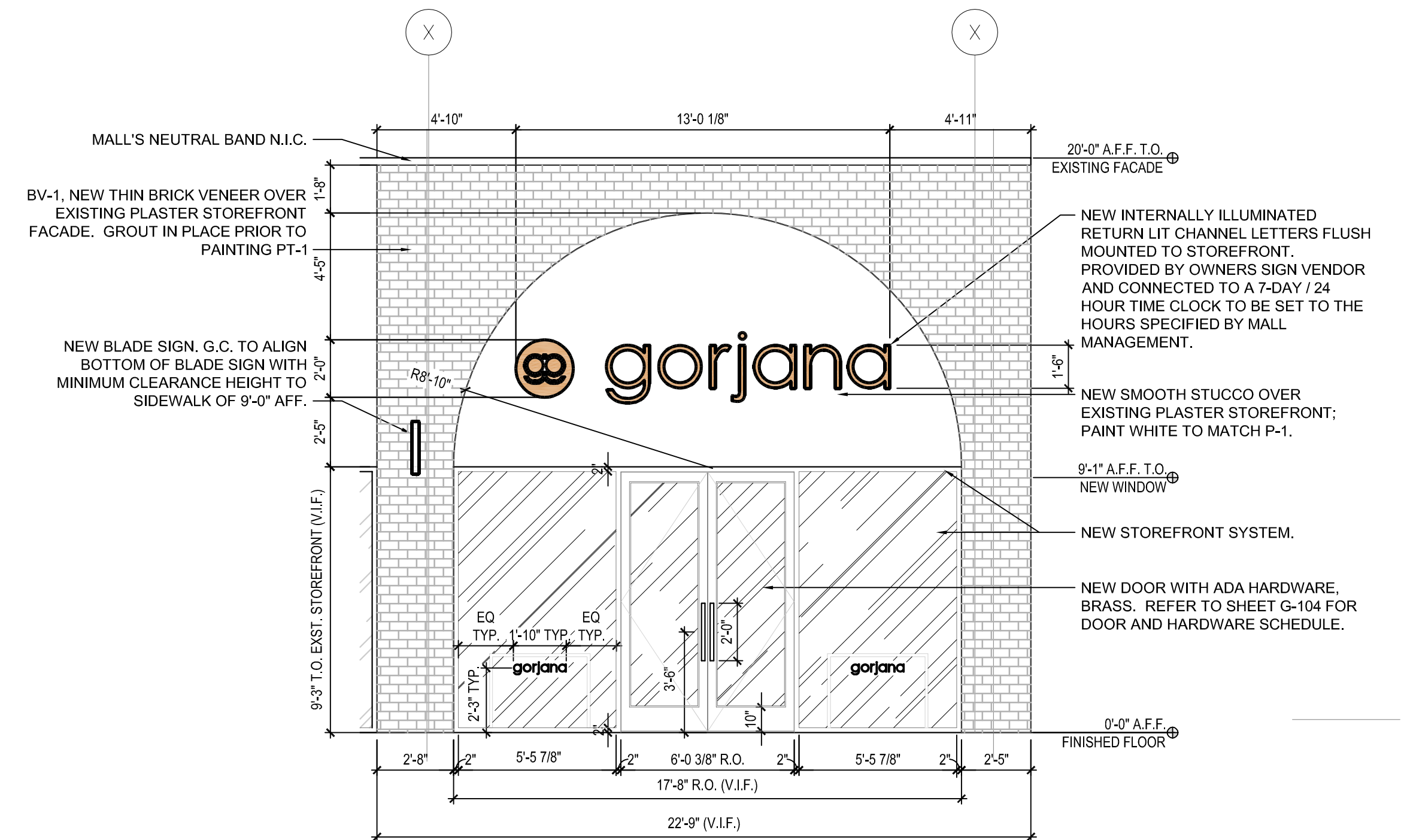
A20
A-300
STOREFRONT - JAMB DETAIL
SCALE: 6" = 1/2"



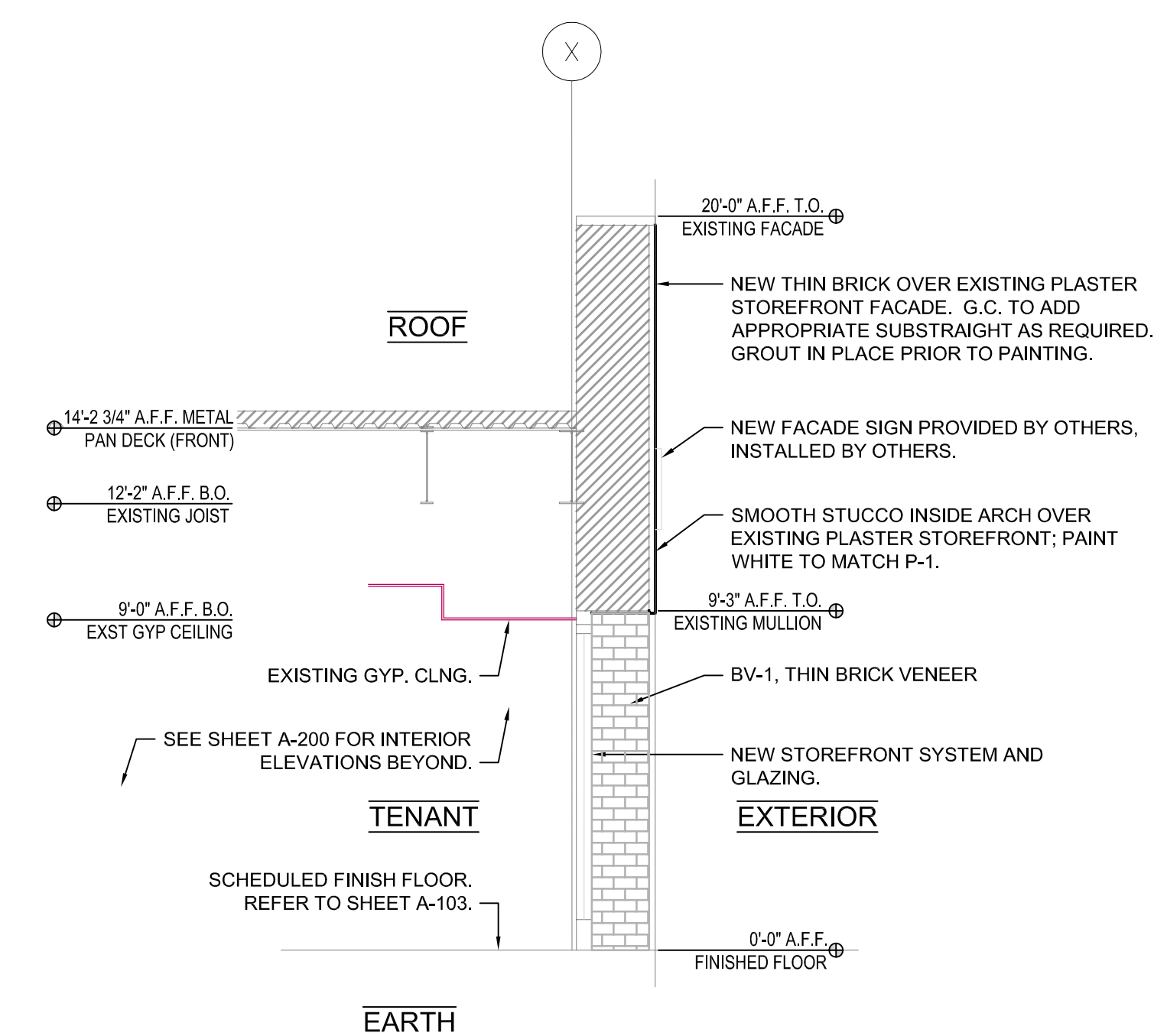
A8
A-300
PROPOSED STOREFRONT RENDERING
SCALE: N.T.S.



A6
A-300
EXISTING STOREFRONT
SCALE: N.T.S.



A19
A-300
DEMO STOREFRONT ELEVATION
SCALE: 1/4" = 1/2"



A17
A-300
STOREFRONT SECTION
SCALE: 1/4" = 1/2"

Issue For:
SAP SUBMITTAL
Issue Date:
04/17/2025

DATE	REVISION
03/21/2025	PRELIM LL REVIEW
04/17/2025	SAP SUBMITTAL
XXXXXX	FINAL LL REVIEW
XXXXXX	PERMIT SUBMITTAL
XXXXXX	CONSTRUCTION SET
XXXXXX	REV1
XXXXXX	REV2
XXXXXX	REV3