

# DENYSE

C O M P A N I E S

SIGNS • LIGHTING • SOLAR • ARCHITECTURAL

4521 Industrial Access Rd.  
Douglasville, GA 30134  
678.244.1445 o  
770.293.0181 f

SAP-13-034



March 18, 2013

Project Summary: Buckhead Grand Sign  
3338 Peachtree Road, Atlanta

---

DeNyse Signs submits a SAP application for a ground sign on behalf of the Buckhead Grand condominiums.

The monument sign is to be used for identification purposes. It will be placed near the steps to the entrance for the condominiums. This is on an interior lot facing a private street.

The sign is 8'2" in height. Materials are aluminum & acrylic with LED illumination behind the "Buckhead Grand" lettering. LED uplighting provides illumination for the tenant panels.

Respectfully,

*Karen Wilson*  
Karen Wilson for DeNyse Signs



© Copyright 2013 All designs and drawings are the sole property of Denyse Companies, Inc., and may not be reproduced, published, changed or used in any way without written permission and consent. In addition, all ideas, contents of proposals, and all specifications of any project entered into with Denyse Companies, Inc. are all rights reserved. The described information may not be used in securing price competitors. Violators will be prosecuted to the full extent of the law.

**Management Company**  
NA

**Property Name & Address**  
Buckhead Grand  
Atlanta GA

**Bid Number**  
57487

**Project Manager**  
Mark DeNyse

**Designer**  
ac

**Date**  
03.07.2013

**Revision Date**

0	N/A

**Design Time**  
1

**Filename**  
Sign Package 1 v2

- Concept
- Preliminary
- Production



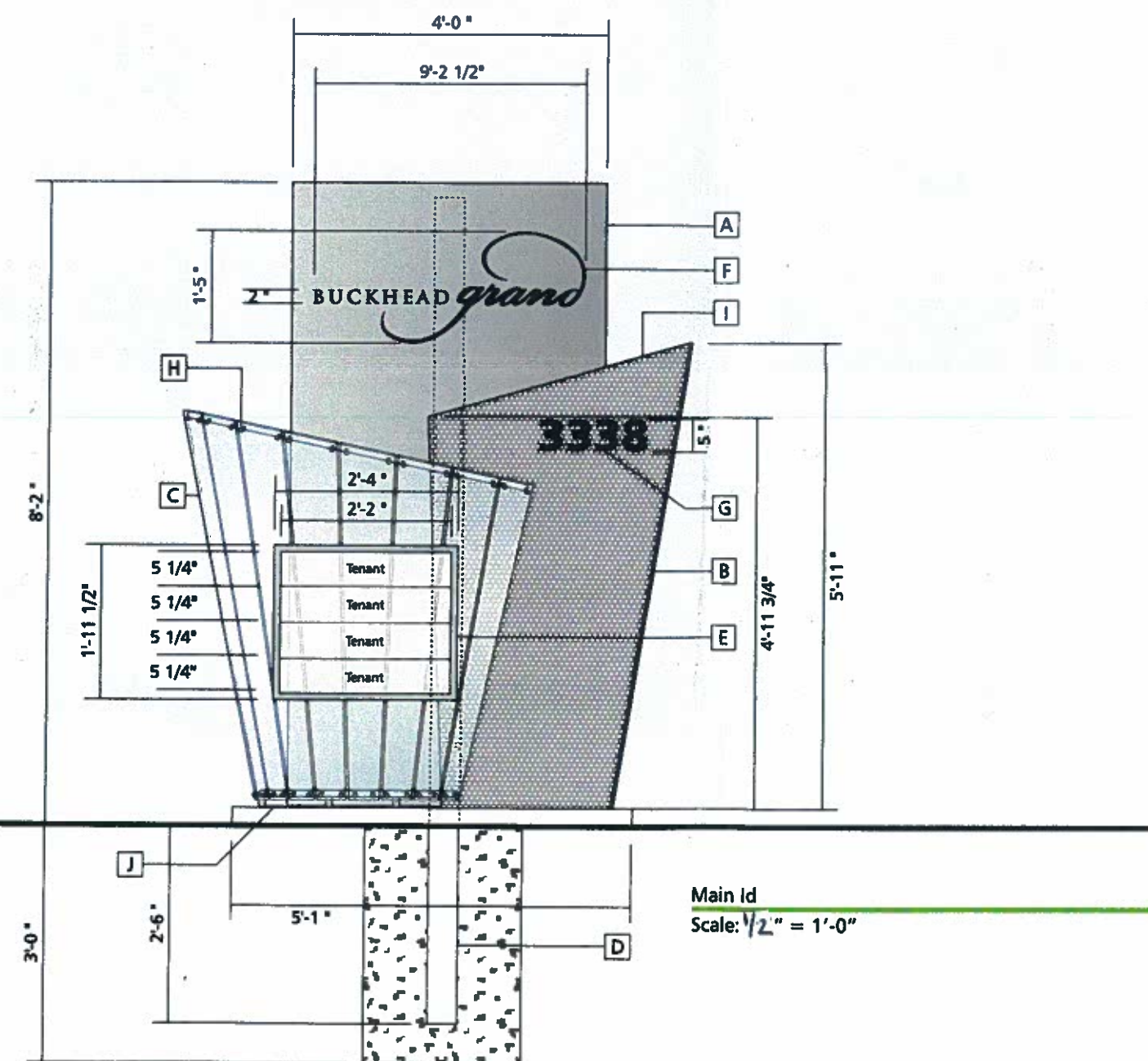
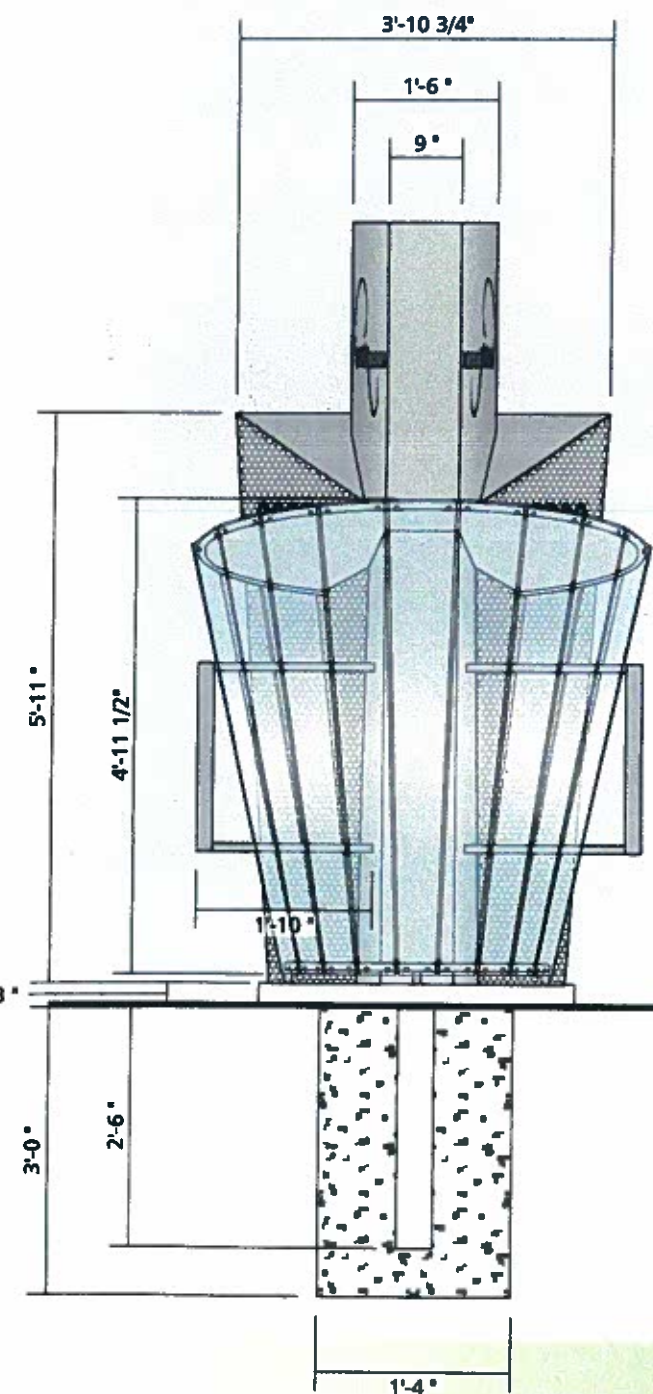
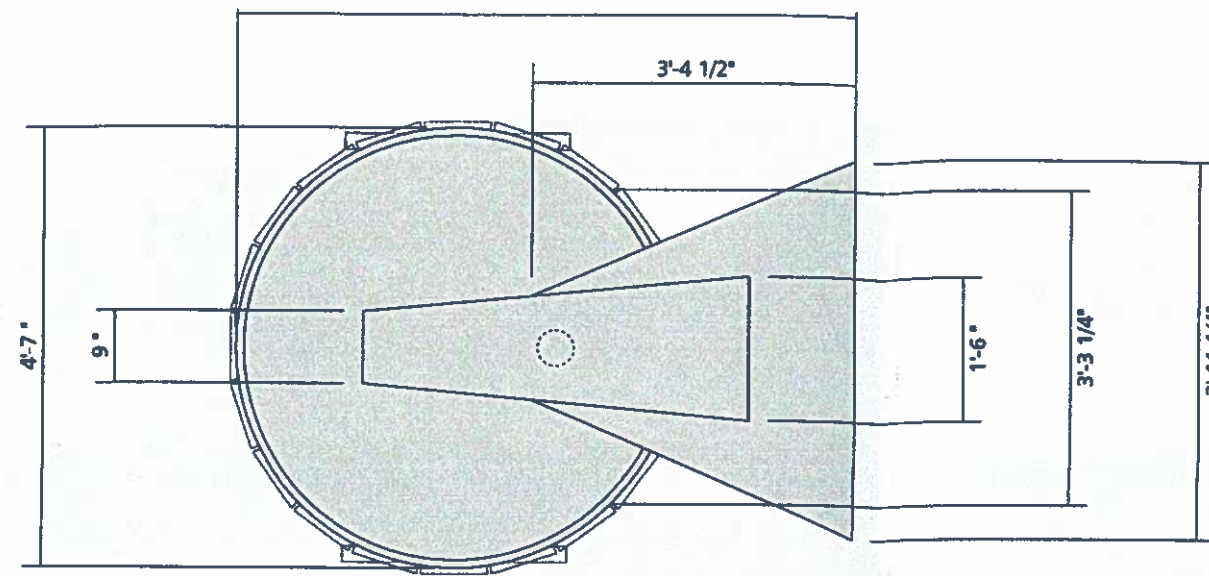
Main ID Approx. Location



**Aerial View**

Client Verification Required - By initialing this drawing you agree to the layout, content and accuracy of this drawing.





Main Id  
Scale: 1/2" = 1'-0"

**Colors & Finishes**

Colors shown here may not exactly match manufacturers color chart swatch or actual sample. Client to either provide samples or specifications for custom colors prior to production or approve DeNyse color samples or color specifications

- C-1**  Matthews Brushed Aluminum (HG)
- C-2**  Black
- C-2**  Clear Acrylic
- C-4**  White LEDs

**Construction Specifications**

- A** Fabricated aluminum cabinet
- B** Perforated aluminum with 1" square aluminum tube along perimeter
- C** .25" Acrylic panels attached via 1" stand-offs to 1" diameter rolled aluminum pipe
- D** 4" Dia. Steel pole
- E** 2" aluminum tube frame with acrylic tenant panels, attached to aluminum cabinet via 1" aluminum tubing
- F** .25" acrylic copy, flush mounted to cabinet
- G** .25" acrylic numerals, flush mounted to perforated pane
- H** .125" aluminum cap
- I** .25" acrylic cap
- J** 3" diameter LED uprights



© Copyright 2013 All designs and drawings are the sole property of DeNyse Companies, Inc., and may not be reproduced, published, changed or used in any way without written permission and consent. In addition, all ideas, contents of proposals, and all specifications of any project entered into with DeNyse Companies, Inc. are all rights reserved. The described information may not be used in securing price comparisons. Violators will be prosecuted to the full extent of the law.

**Management Company**  
NA

**Property Name & Address**  
Buckhead Grand  
Atlanta GA

**Bid Number**  
57487

**Project Manager**  
Mark DeNyse

**Designer**  
ac

**Date**  
03.07.2013

**Revision Date**  
0 N/A

**Design Time**  
1

**Filename**  
Sign Package 1 v2

- Concept
- Preliminary
- Production