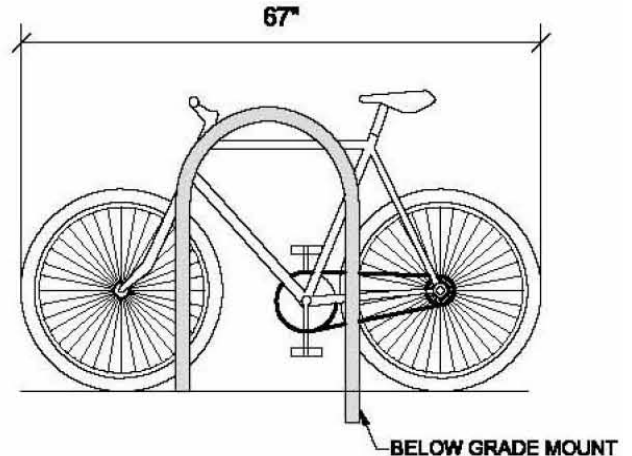


City of Atlanta

Bicycle Rack Standards

All elements painted Themic Black or 'CODA GREEN' (color Pantone 5535)



Minimum required number as specified per zoning district or per Section 16-28.014(6)

- 1) **Outdoor bike racks:** securely attached to concrete base with a below grade mount and shall be:
 - a) **Product:** Saris Product Model 2112, or equivalent
 - b) **Locations:**
 - Furniture zone: shall be installed parallel to the street within the street furniture zone a minimum of 36 inches from face of curb; or
 - Supplemental zone: a minimum of 36 inches from the building façade.
- 2) **Covered bike racks:** located near pedestrian entrances in the building/parking structure at nearest ground floor. Other rack products allowed.

